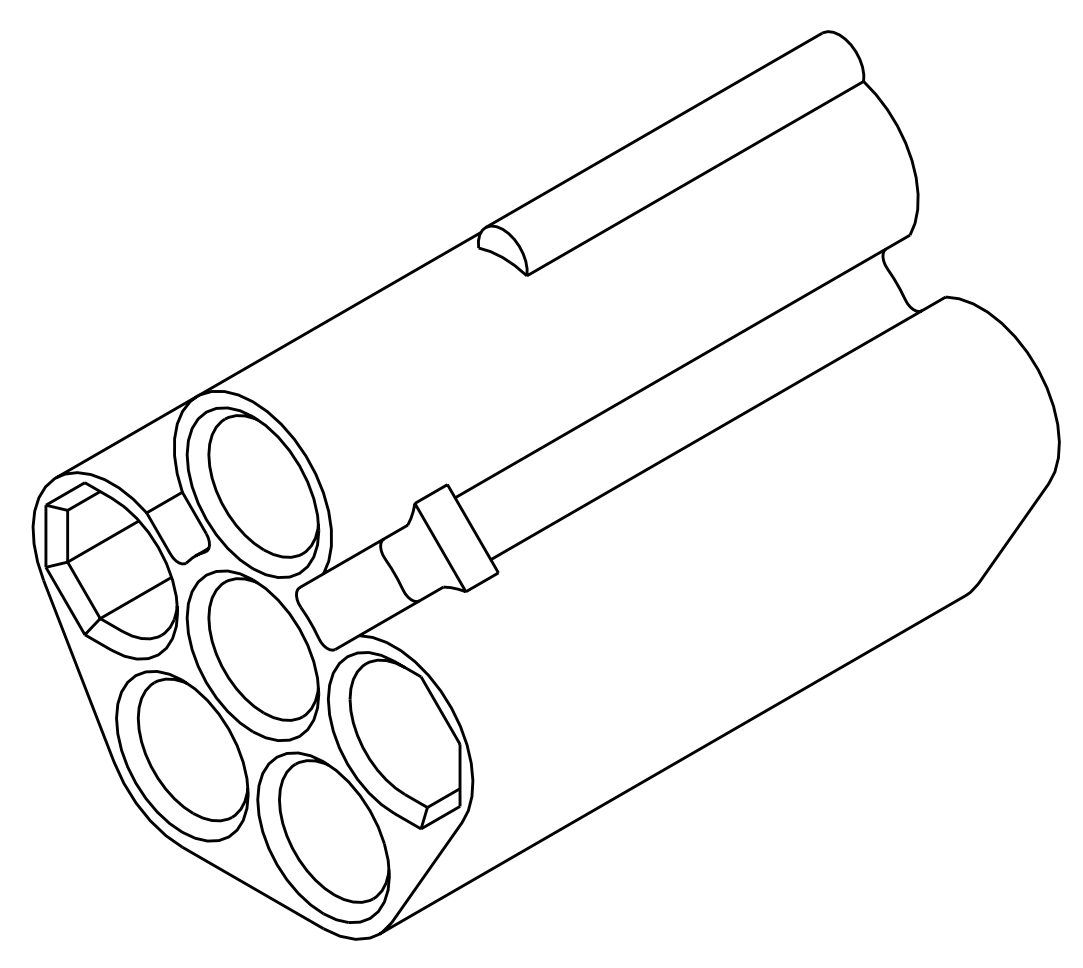
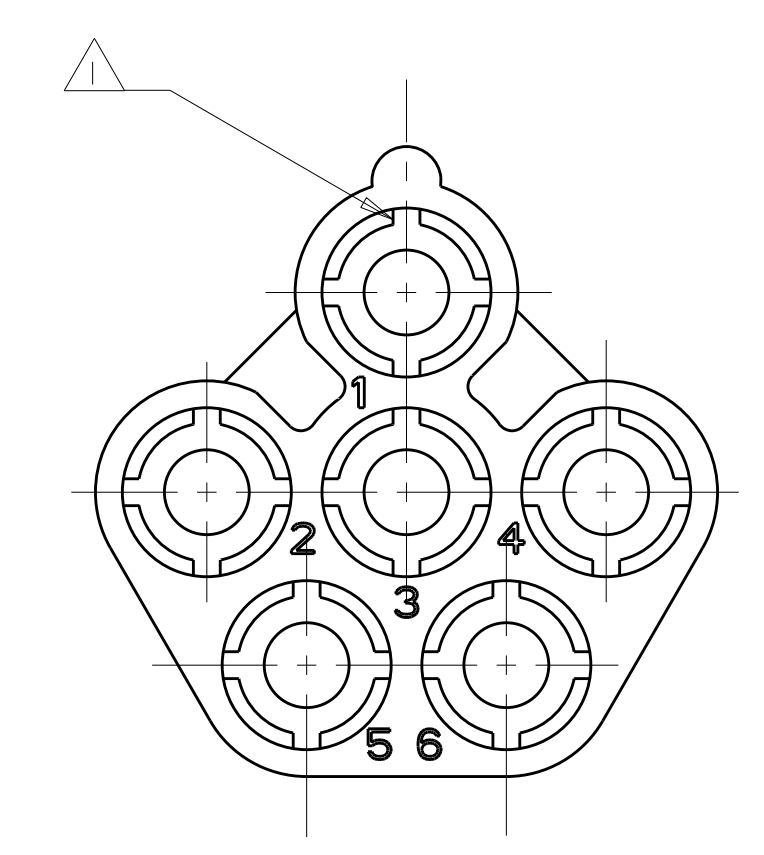
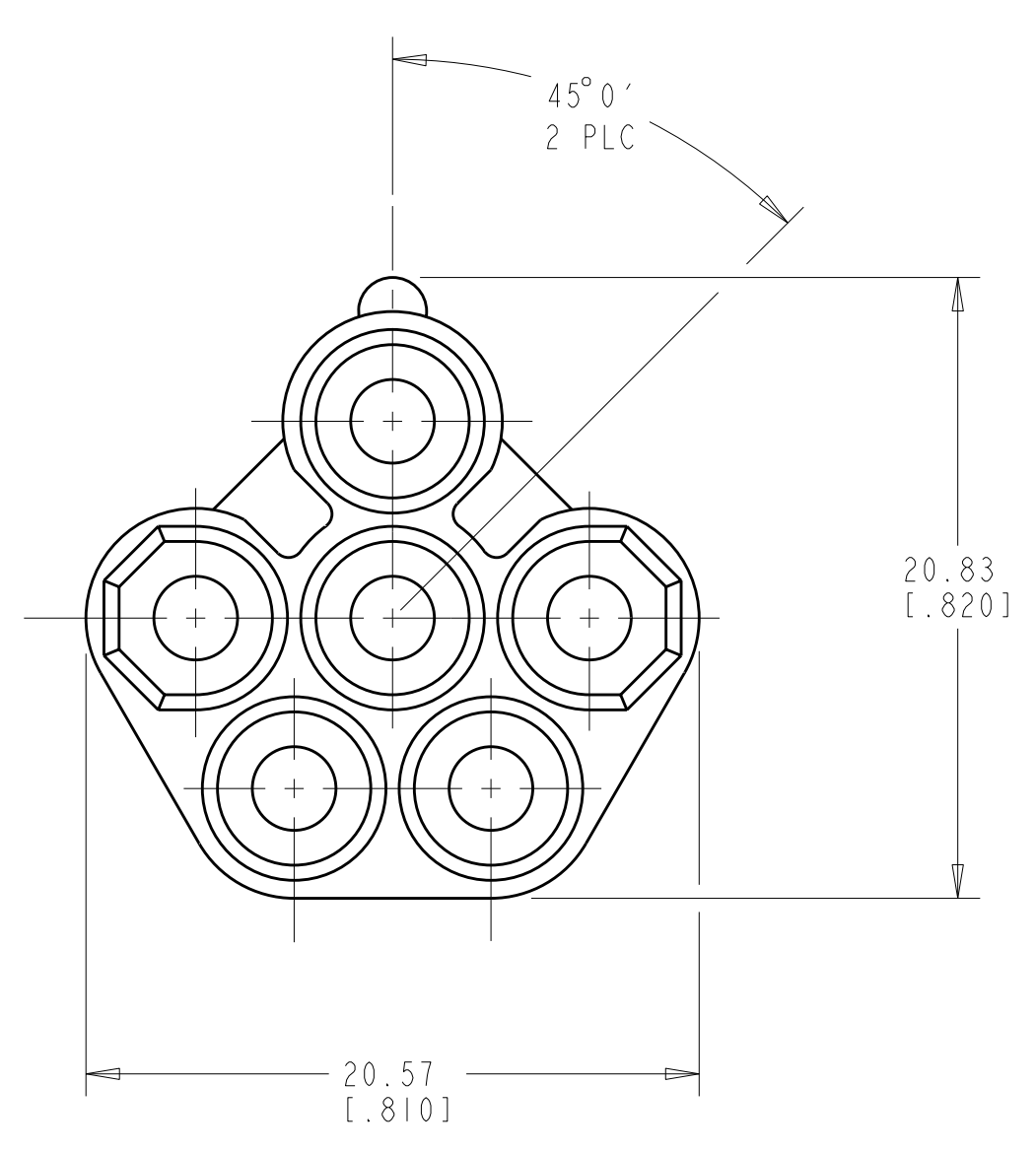
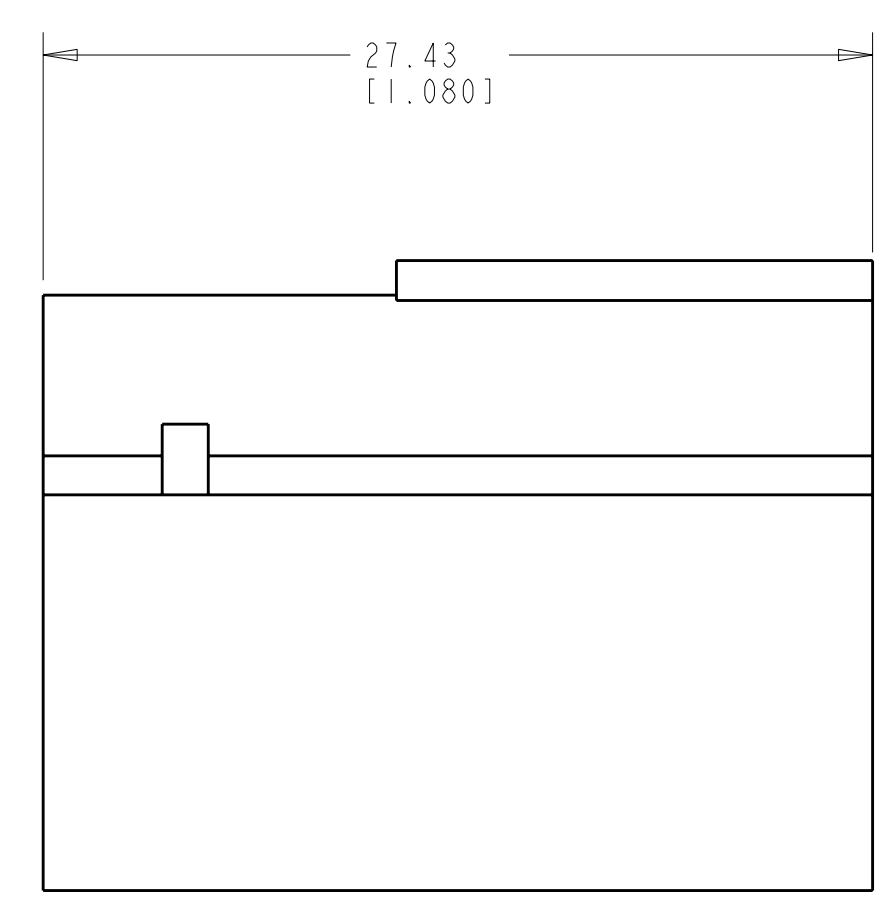
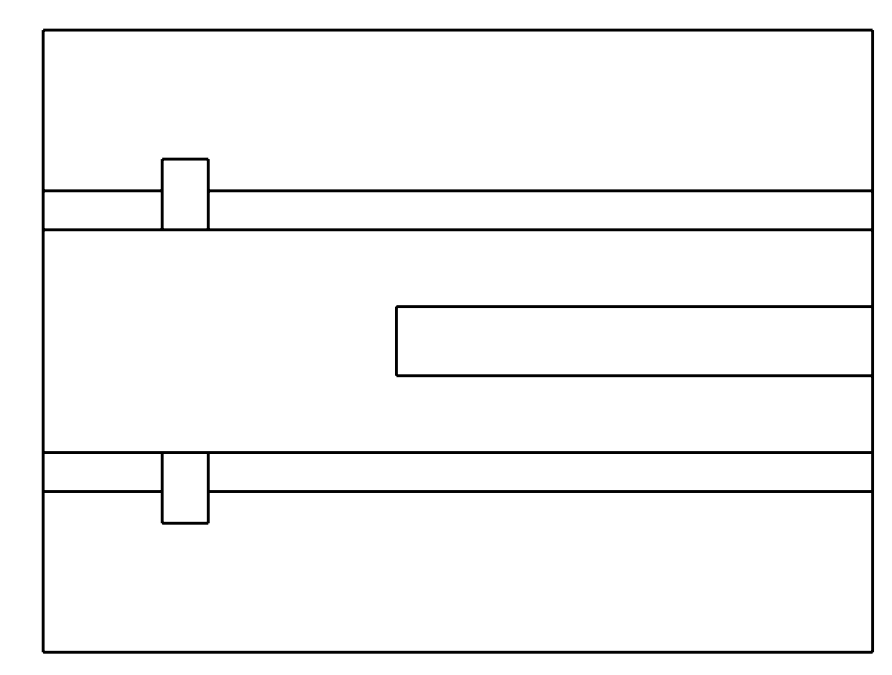


LOC	DIST	REVISIONS			
		REV	DATE	DWN	APVD
CM	53	B	15-OCT-01	KW	SR
		B1	18-JAN-2007	KW	DC

△ FOUR RIBS EQUALLY SPACED, NO SPECIFIC ORIENTATION.



3-DIMENSIONAL MODEL  
SCALE 4:1

VOLUME	COLOR	PART NUMBER
0.218 IN <sup>3</sup>	BLACK	794912-9
0.218 IN <sup>3</sup>	GRAY	794912-8
0.218 IN <sup>3</sup>	BROWN	794912-7
0.218 IN <sup>3</sup>	BLUE	794912-6
0.218 IN <sup>3</sup>	GREEN	794912-5
0.218 IN <sup>3</sup>	YELLOW	794912-4
0.218 IN <sup>3</sup>	ORANGE	794912-3
0.218 IN <sup>3</sup>	RED	794912-2
0.218 IN <sup>3</sup>	NATURAL	794912-1

DIMENSIONS: mm [ INCHES ]		TOLERANCES UNLESS OTHERWISE SPECIFIED: 9 PLC ± 1 PLC ± 2 PLC ±0.131 (0.005) 3 PLC ± 4 PLC ± ANGLES ±		DWN: 23-MAR-2001 CHK: WHITAKER S. RIDGILL APVD: 23-MAR-2001 S. RIDGILL		AMP Incorporated Harrisburg, PA 17105-3608	
MATERIAL: NYLON, UL 94V-2		FINISH:		PRODUCT SPEC:		NAME: CAP, CIRCULAR, 6 CIRCUIT, UNIVERSAL MATE-N-LOK(TM)	
METRIC		CUSTOMER DRAWING		WEIGHT:		SIZE: CAGE CODE: DRAWING NO: A1100779 C=794912	
AMP 4805 REV 31MAR2000		PRG/ENGINEER DRAWING		SCALE: 4:1		SHEET 1 OF 1 REV B1	